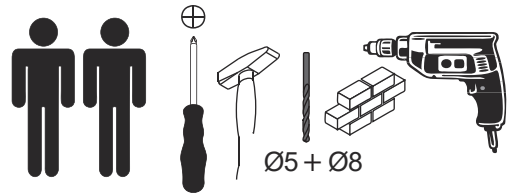
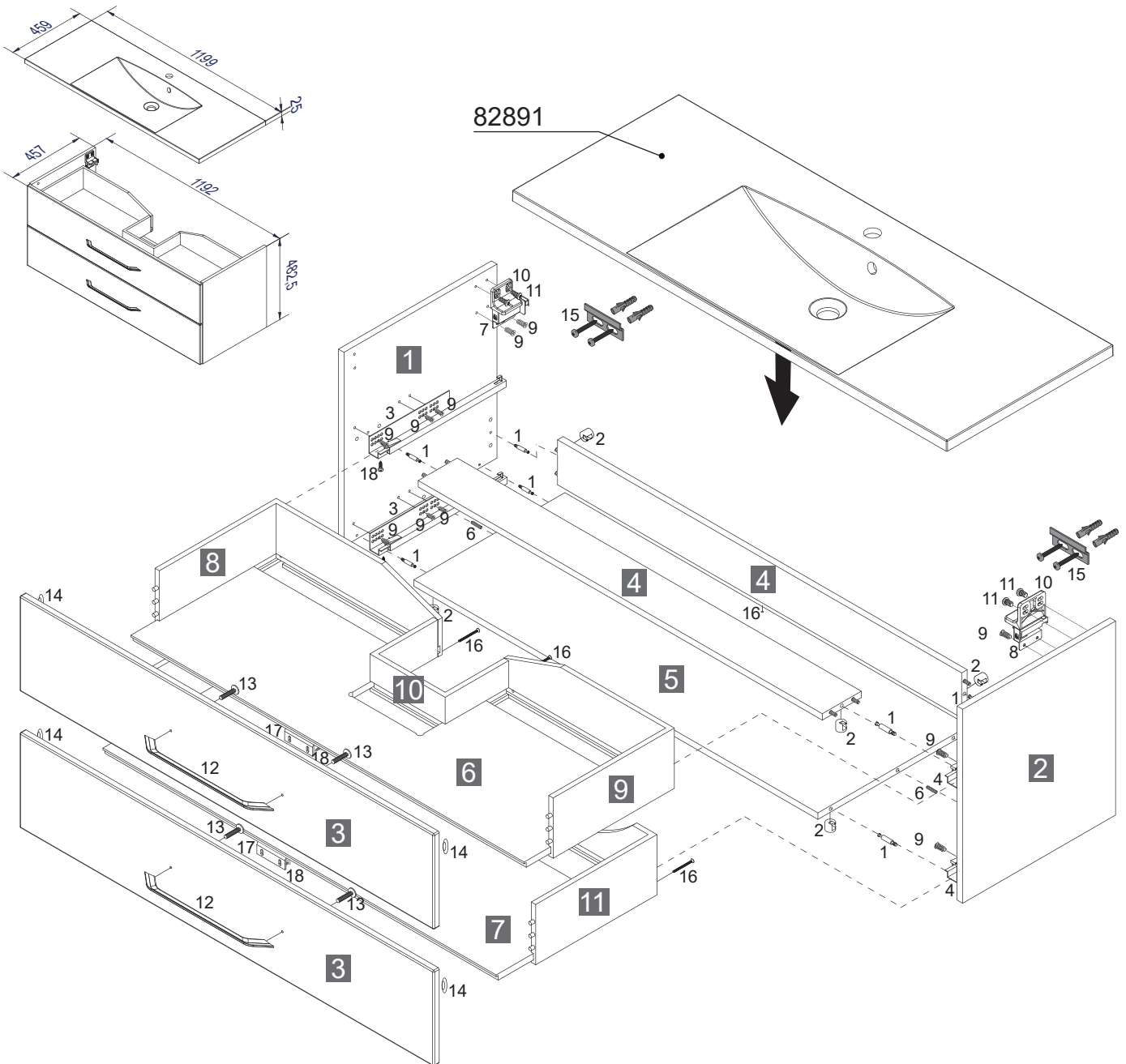


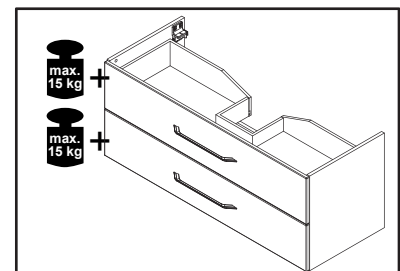
FACKELMANN®



82893/6/7



- | | | | |
|----------|--|-----------|------------|
| 1 | 2LSE829071 Ulme
2LSE829033 Weiß
2LSE829066 Esche | 7 | 2URS829239 |
| 2 | 2RSE829071 Ulme
2RSE829033 Weiß
2RSE829066 Esche | 8 | 4SZL828939 |
| 3 | 2XFS829271 Ulme
3XFS829233 Weiß
2XFS829266 Esche | 9 | 4SZR828939 |
| 4 | 2HQU720292 | 10 | 4SZS829039 |
| 5 | 2XQU829239 | 11 | 2SZA829239 |
| 6 | 2ORS828939 | | |

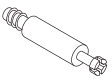

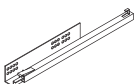
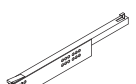

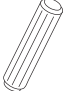
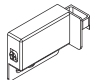
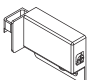

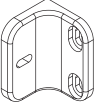


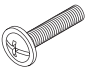

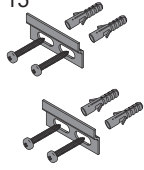
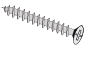
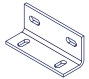



FACKELMANN® GmbH + Co. KG

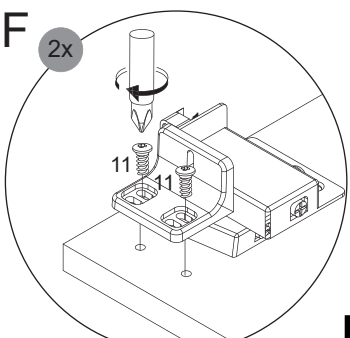
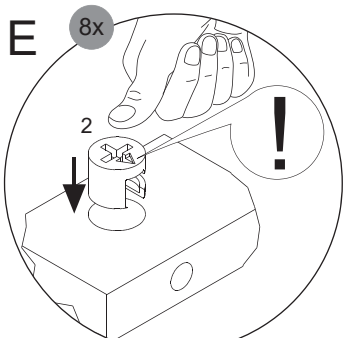
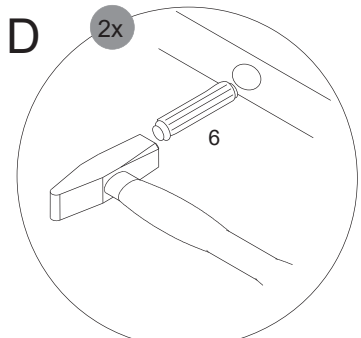
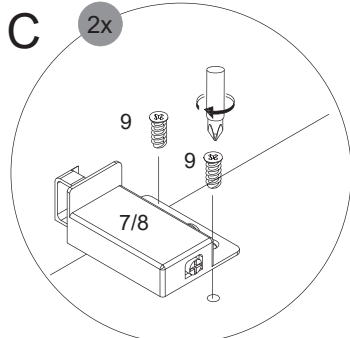
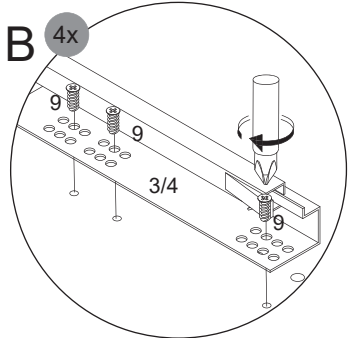
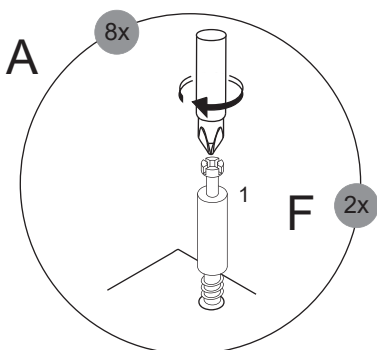
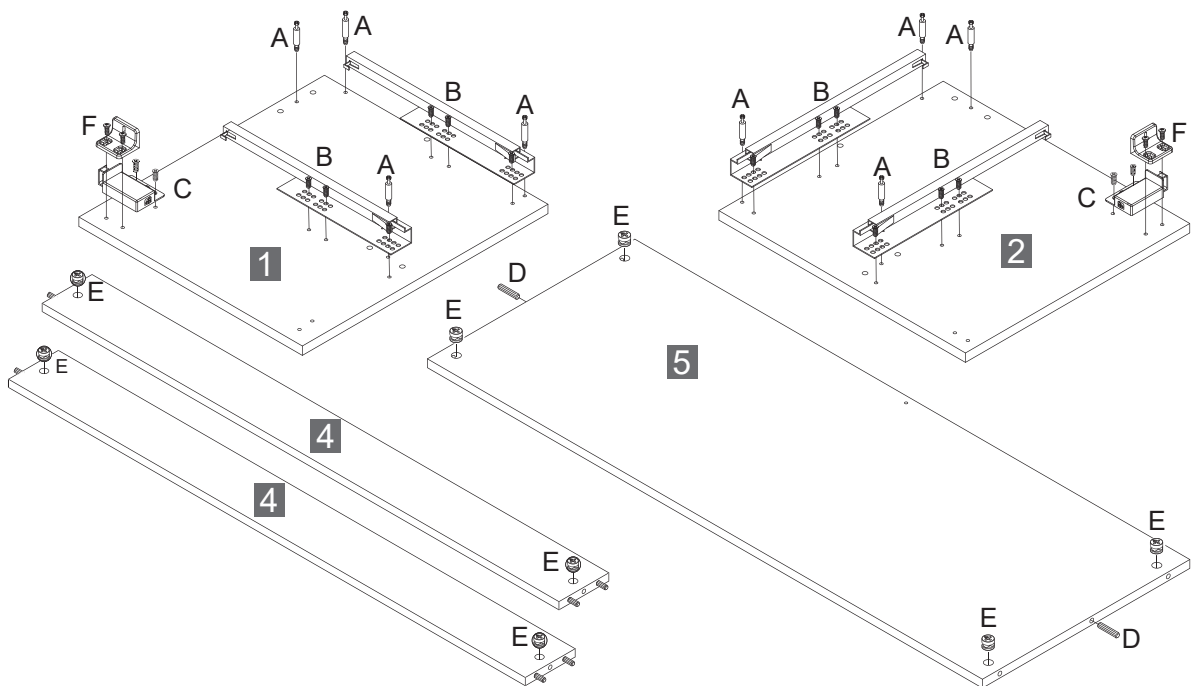
Sebastian-Fackelmann-Str. 6
91217 Hersbruck • Deutschland
FAX: 09151/811-294
Servicetelefon: 09151/811-206
servicebm@fackelmann.de
www.fackelmann.de

Alle Maßangaben sind ca.-Maße und können geringfügig abweichen.
All measurements are approximate and may vary slightly.

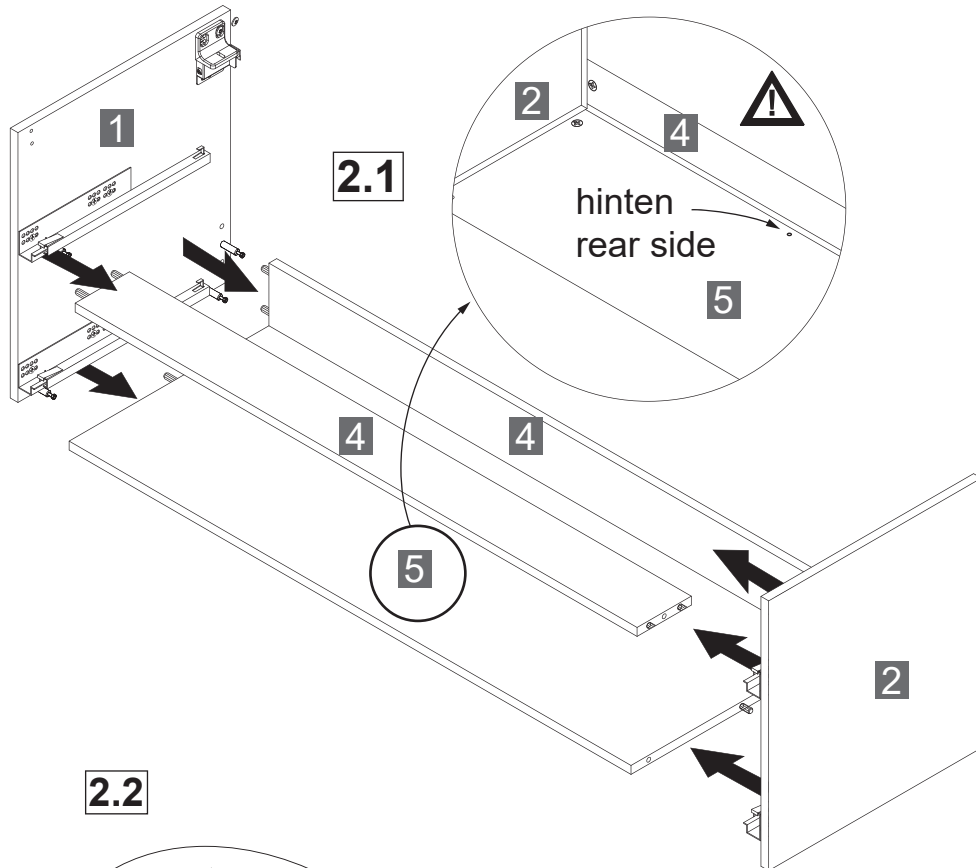
5BB0828930 S1 11/22

1	2	3	4	5	6	7	8	9
								
4BB1500001	4BB1515000	4BBKA35011	4BBKA35012	3KL1020900	4BD008X300	4BB84L1826	4BB84RE826	4SK6.3X130
8 x	8 x	2 x	2 x	3 x	2 x	1 x	1 x	16 x
10	11	12	13	14	15	16	17	18
								
4BW0899160	4SK6.3X160	4BB0829320	4FKM4.0X20	2BB268X1.6	4XBB81HDN2	3,5 x 40	4BW5022160	4RK3.5X131
2 x	4 x	2 x	4 x	4 x	1 x	5 x	2 x	12 x

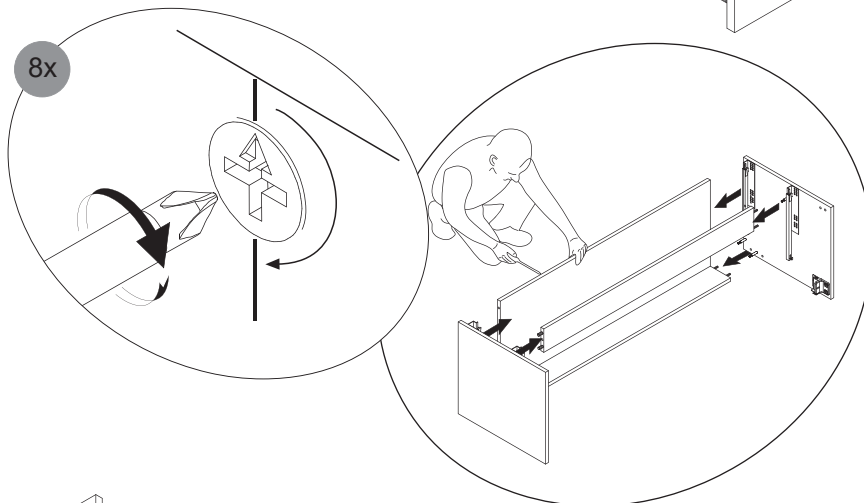
1



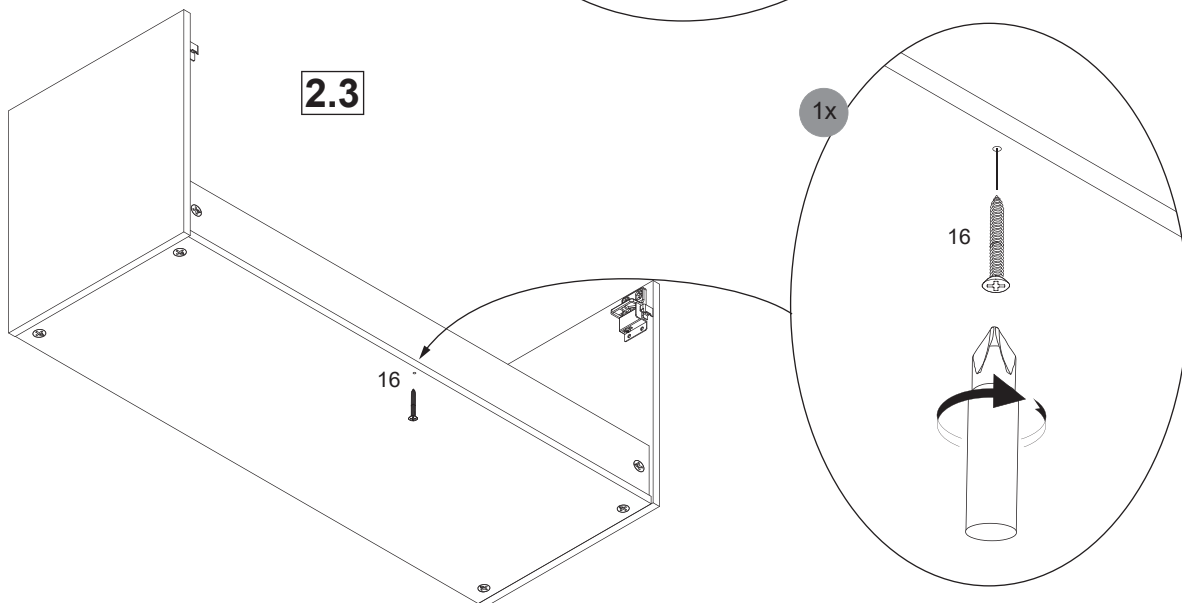
2



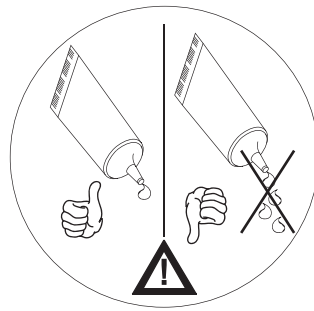
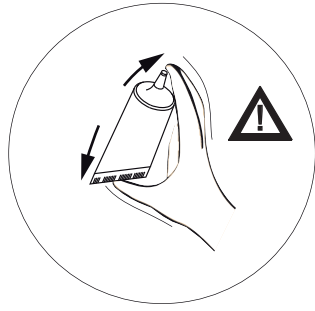
2.2



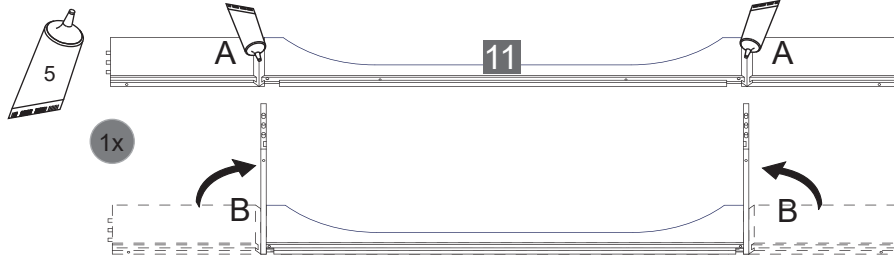
2.3



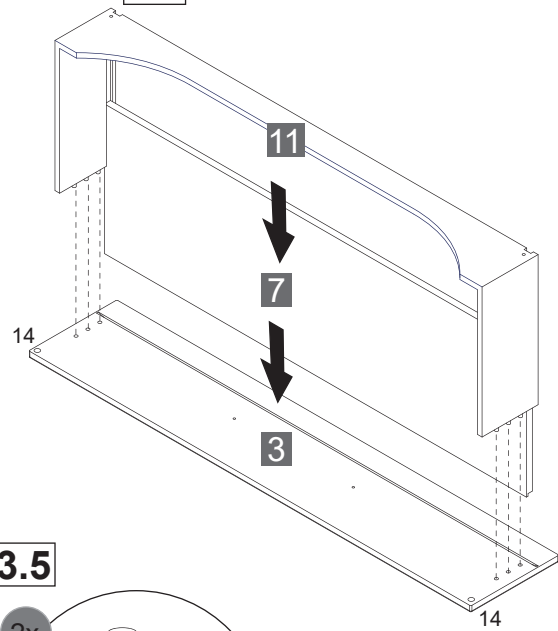
3



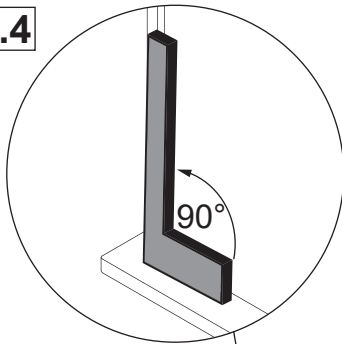
3.1



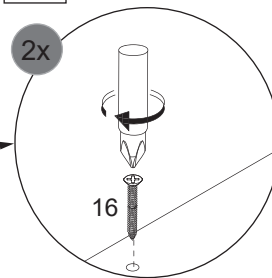
3.3



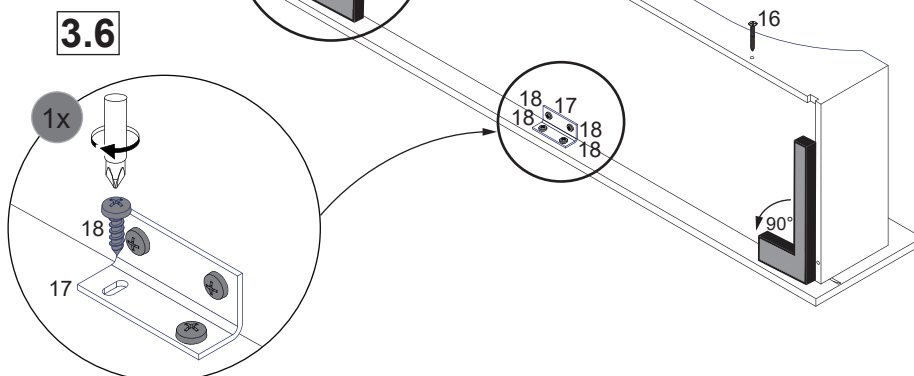
3.4



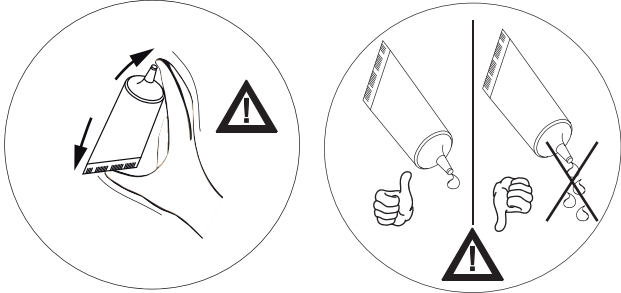
3.5



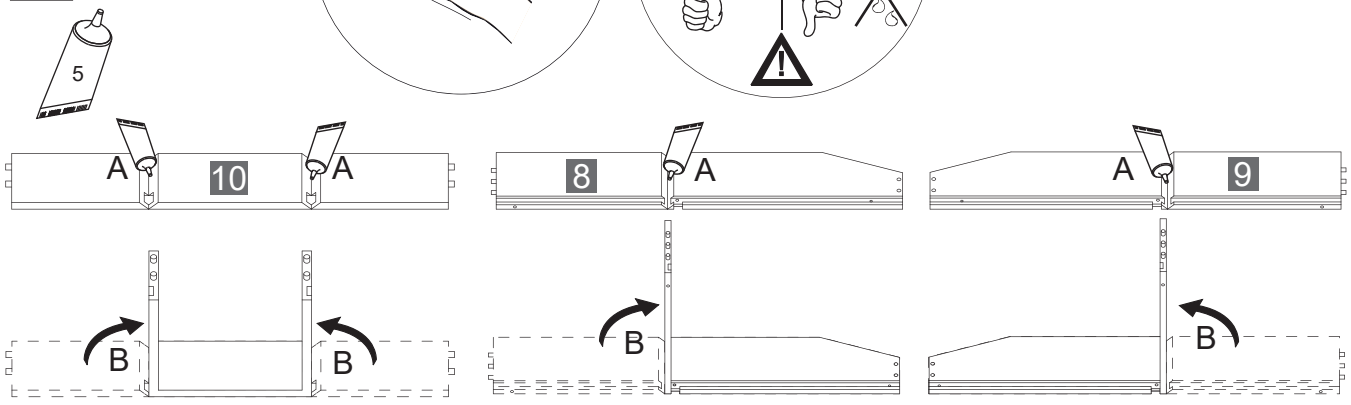
3.6



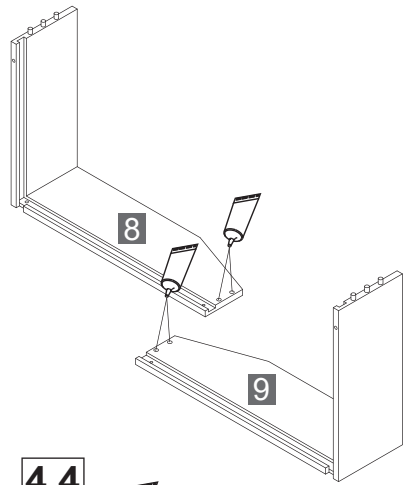
4



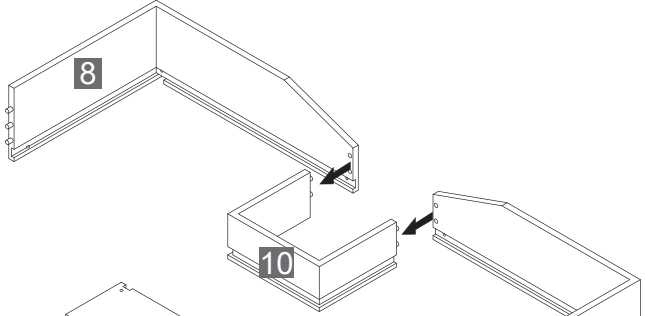
4.1



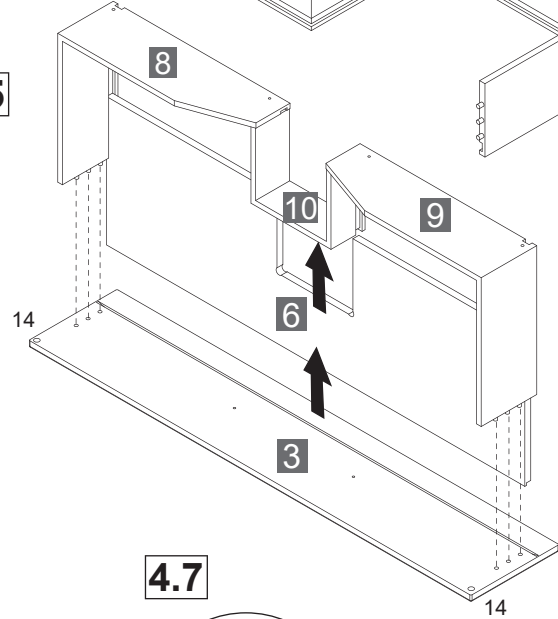
4.2



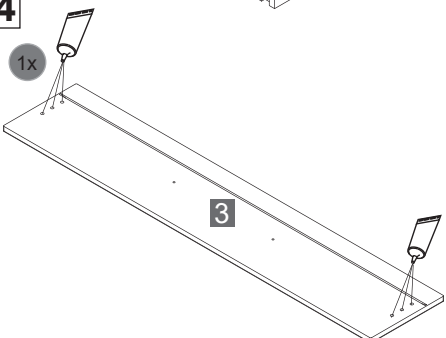
4.3



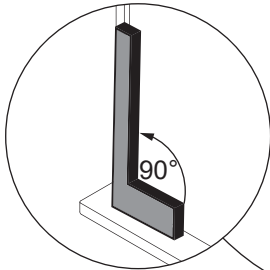
4.5



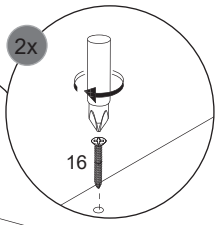
4.4



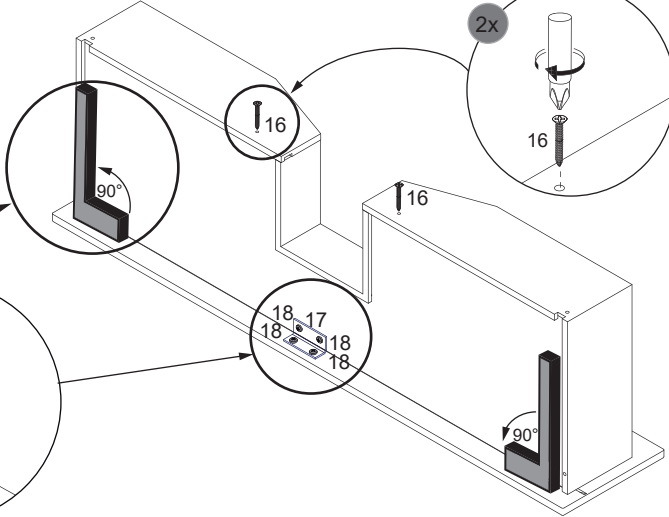
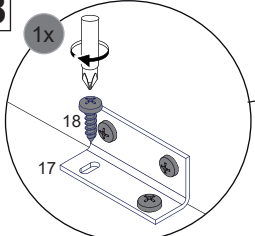
4.6



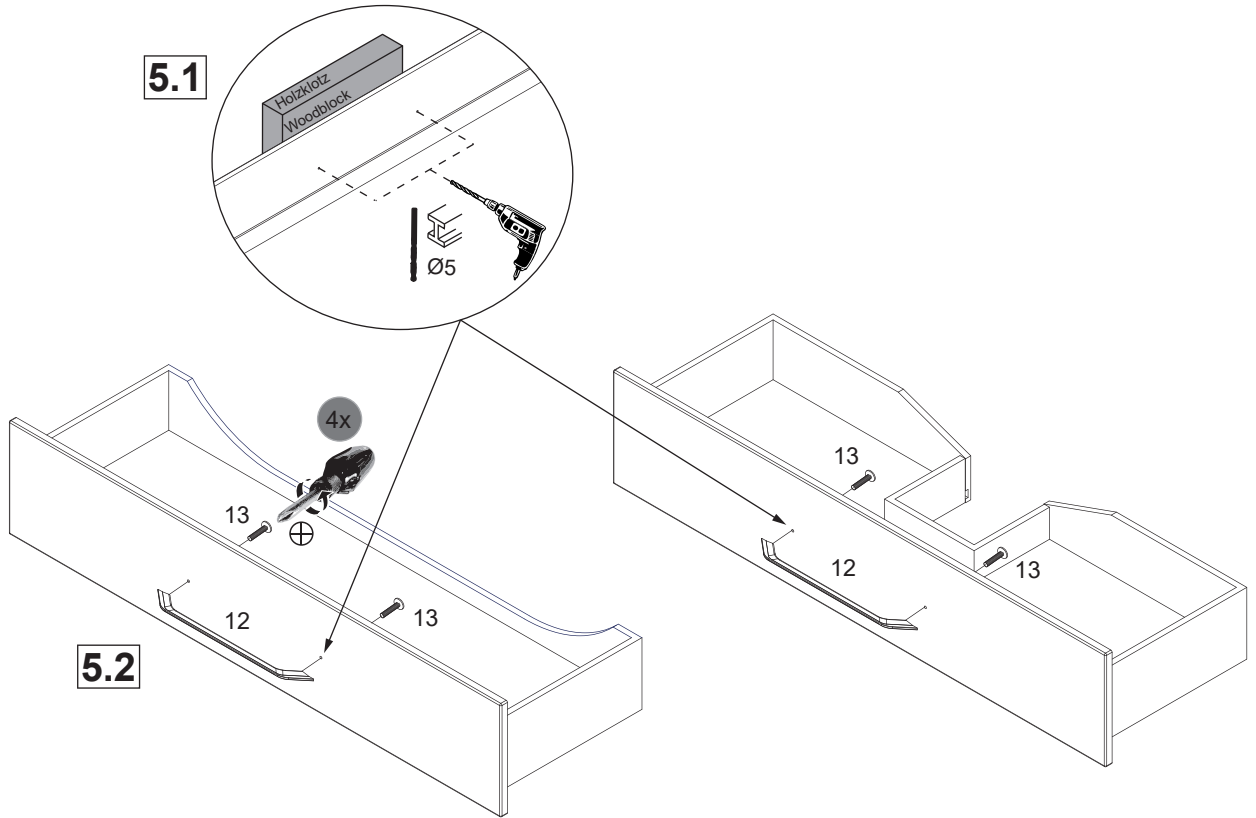
4.7



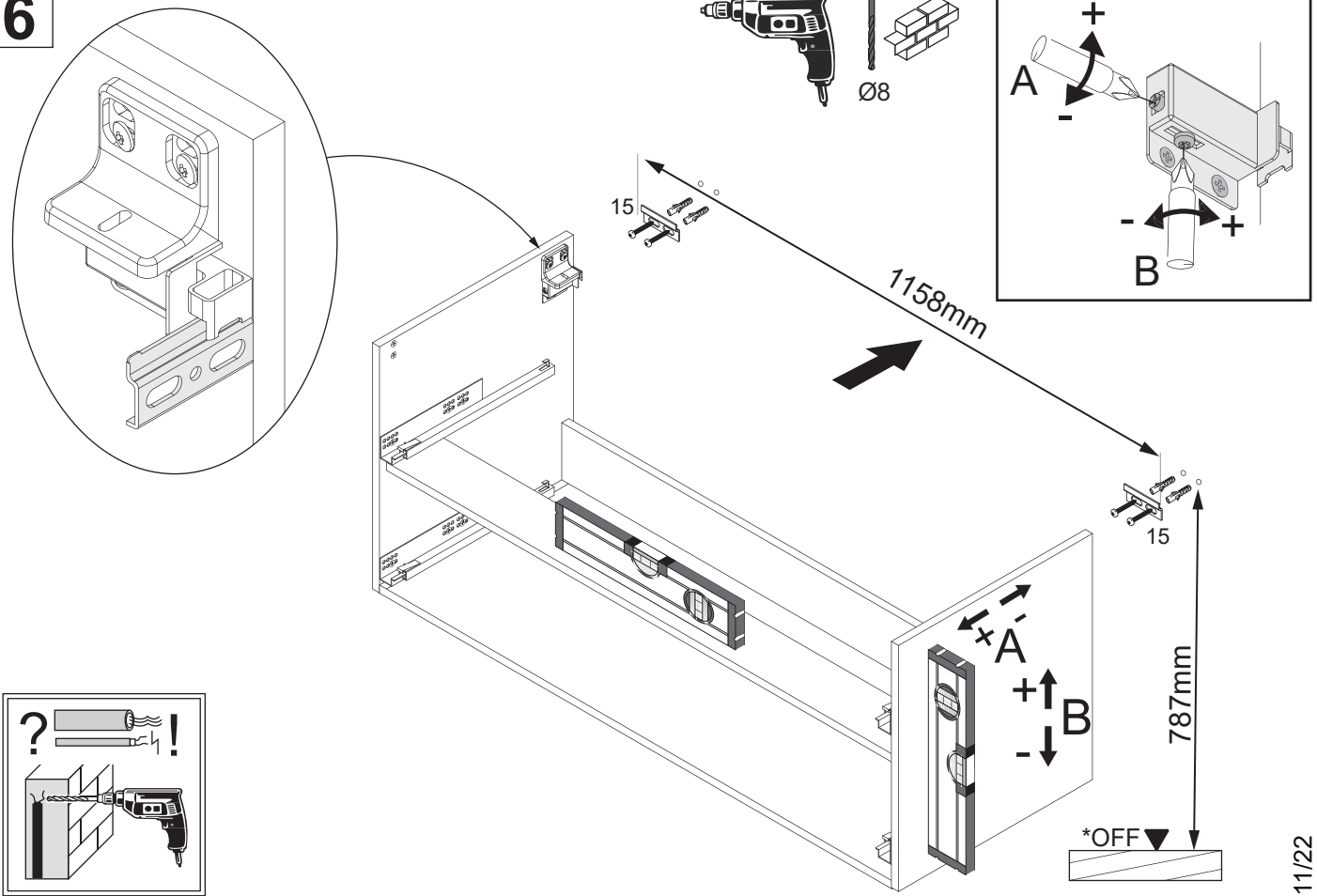
4.8



5

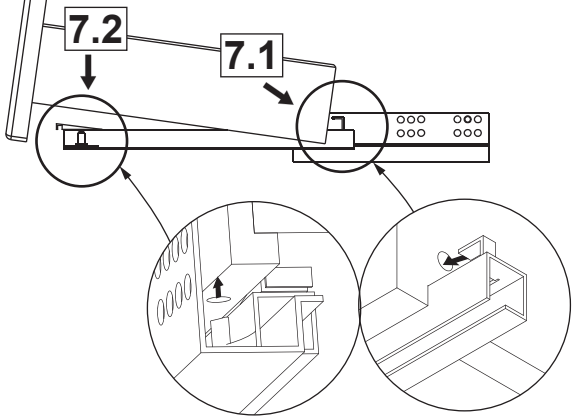


6

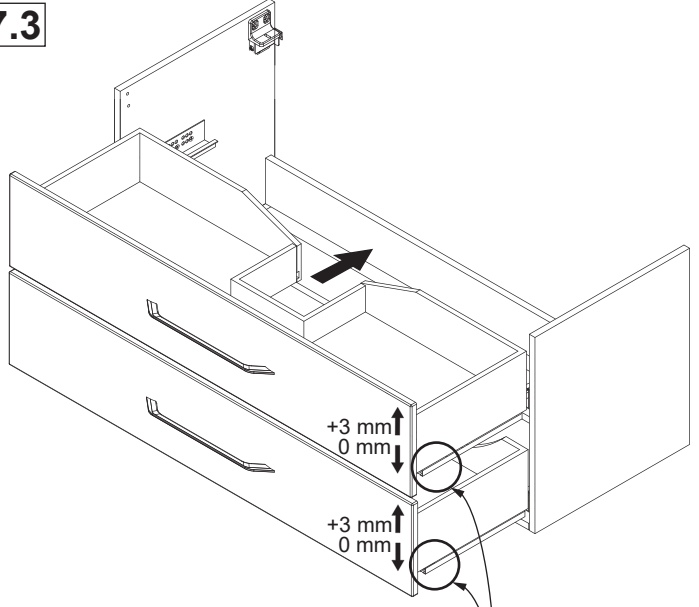


*OFF = Oberkante fertiger Fußboden
 *OFF = Top edge of finished floor

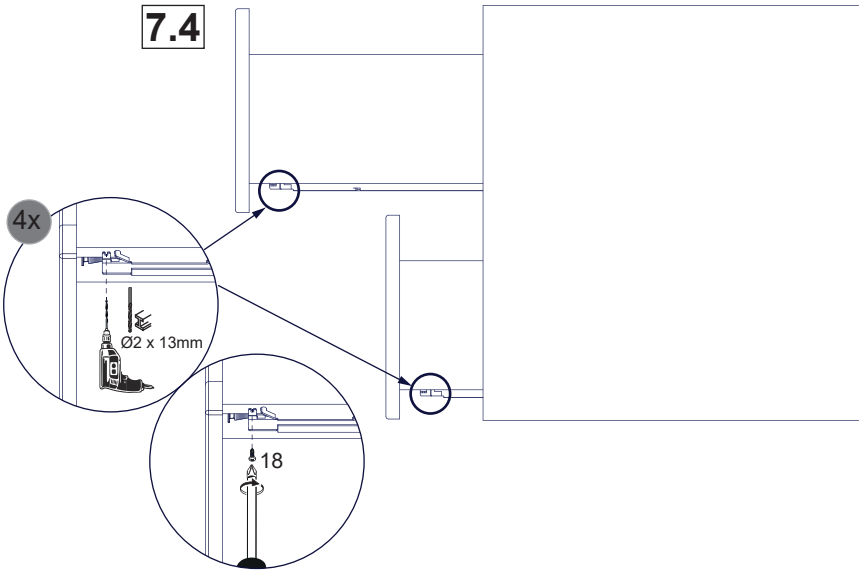
7



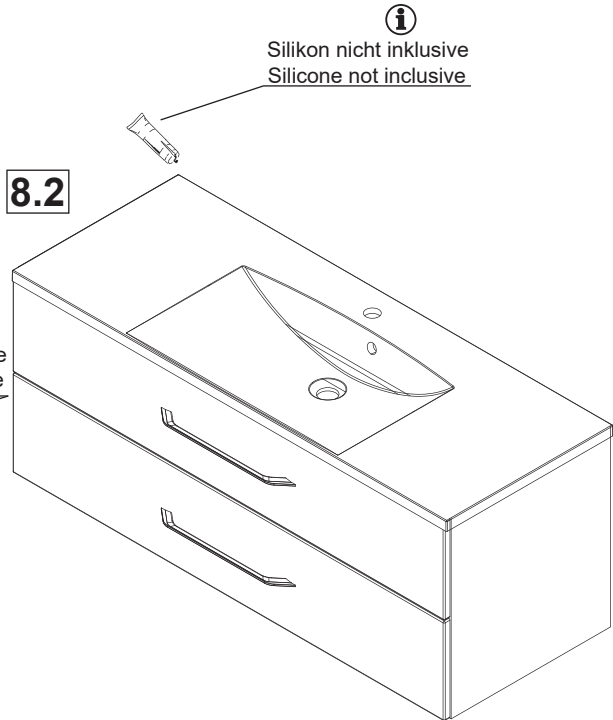
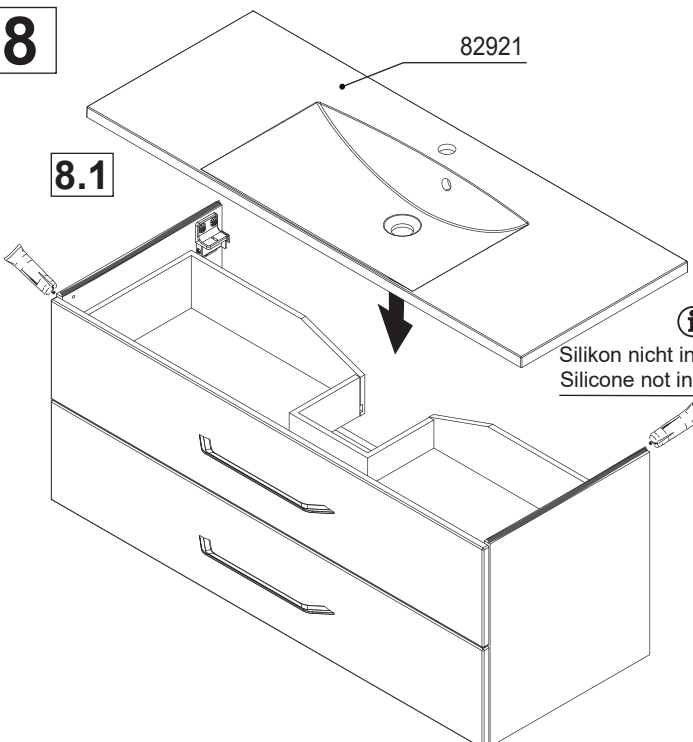
7.3



7.4



8



i
Silikon nicht inklusive
Silicone not inclusive

i
Silikon nicht inklusive
Silicone not inclusive

FAKELMANN®

5BB0828930 S7 11/22